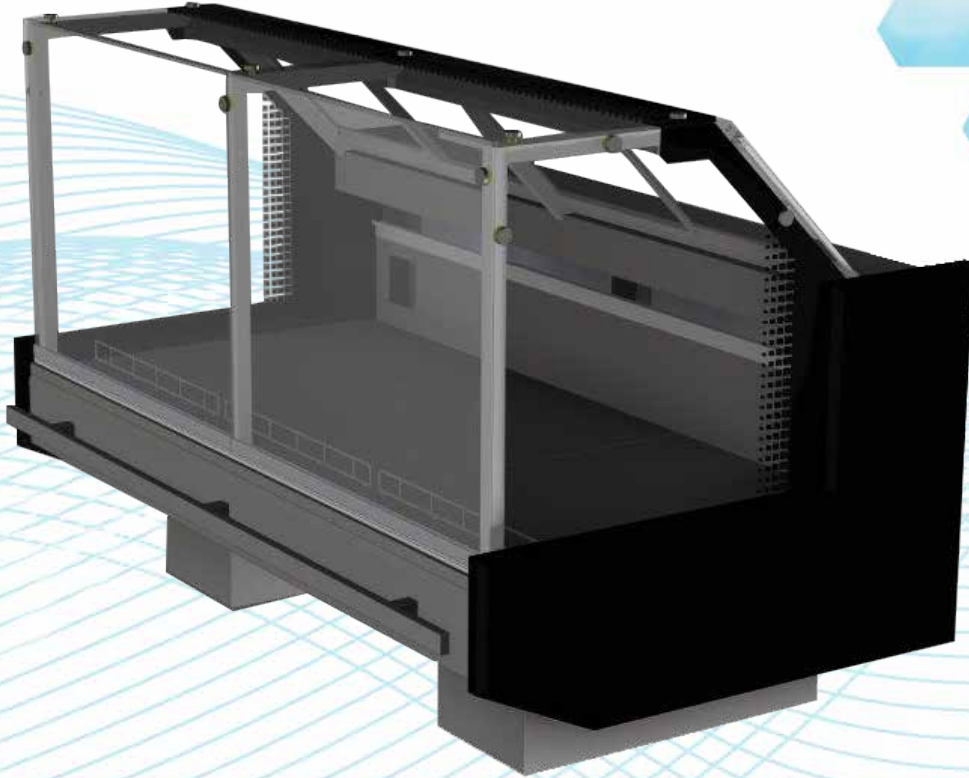




SlimLine

SERVE OVER



FEATURES

STANDARD FEATURES

- Standard with LED lights
- New square look and feel
- Larger 500mm opening for serving
- Stainless steel bumper to protect cabinet
- Nylon block under feet to prevent damage to tiles
- High impact scratch resistant patch-ends
- High performance fans and coils

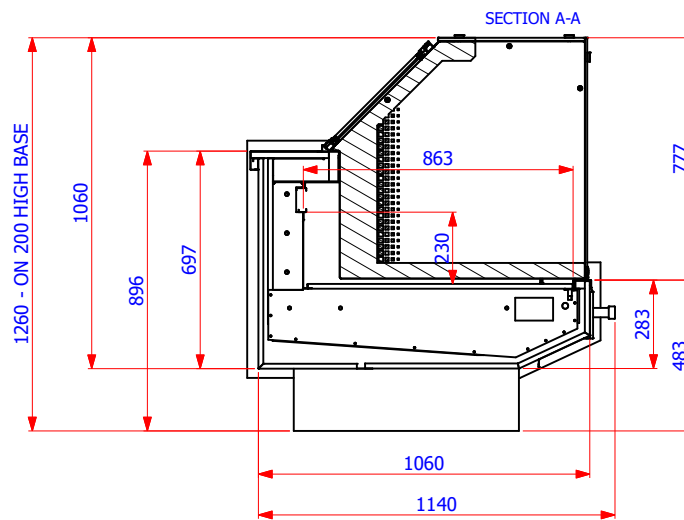
OPTIONAL FEATURES

- Pie warmer, pizza display, H.M.R, bain-marie
- Bakery option with drawer and non-refrigerated shelf
- Pedestals
- Step trays

SERVE OVER

DESCRIPTION			
MODEL NO : SLS0	SLS0 Serve Over		
DIMENSIONS			
HEIGHT	1370mm	1370mm	1370mm
WIDTH (FROM LEFT TO RIGHT)	1220mm	2448mm	3670mm
DEPTH	1160mm	1160mm	1160mm

TECHNICAL DIAGRAM



SPECIFICATION *

USAGE	Fresh meat, deli, bakery
TEMPERATURE RANGE (°C)	2 to 5 °C
VOLT (V)	220V @ 50Hz
WATTS REFRIGERATION (W)	500W
SUCTION TEMP (°C)	-4 °C

*(SPECIFICATION OF HOT CASES AVAILABLE ON APPLICATION)

Suitable for store conditions below 25 °C and 60% relative humidity.
Due to our continual commitment to product improvement, specifications are subject to change without notice.

CONTACT

Tel +27 11 462 2130

Email sales@insulated.co.za

Visit our website www.insulatedstructures.co.za

 **Insulated
Structures**



SlimLine

UPRIGHT



FEATURES

STANDARD FEATURES

- New square look and feel
- Comes standard with block LED top hood lighting
- Stainless steel bumper to protect cabinet
- Nylon block under feet to protect tiles
- High impact scratch resistant patch-ends
- High performance fans and coils
- Removable centre duct with quick access to view coil
- Low front for more merchandise space
- Slim shelves (15mm)
- Line up pins

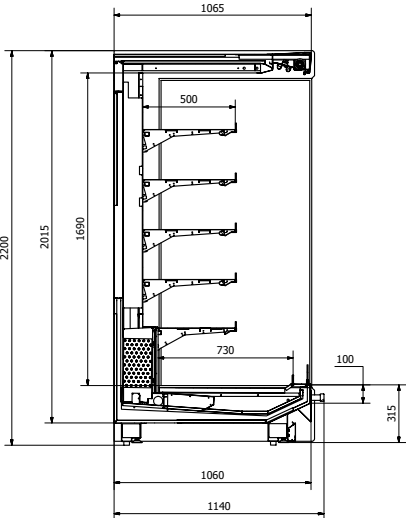
OPTIONAL FEATURES

- Energy saving night blinds
- Perspex fence
- Under-shelf lights
- Top or bottom refrigeration exit
- Top mirror



**Insulated
Structures**

UPRIGHT

DESCRIPTION					
MODEL NO : SLU		SLU-2000			
DIMENSIONS					
HEIGHT	2000mm	2000mm	2000mm	2000mm	
WIDTH (FROM LEFT TO RIGHT)	1220mm	1830mm	2440mm	3670mm	
DEPTH	1140mm	1140mm	1140mm	1140mm	
TECHNICAL DIAGRAM					
					
SPECIFICATION					
USAGE		Dairy, meat, produce, cake			
TEMPERATURE RANGE (°C)		2 to 5 °C			
VOLT (V)		220V @ 50Hz			
SUCTION TEMP (°C)	Meat	-5 °C	-5 °C	-5 °C	-5 °C
	Dairy	-4 °C	-4 °C	-4 °C	-4 °C
	Produce	-1 °C	-1 °C	-1 °C	-1 °C

Suitable for store conditions below 25 °C and 60% relative humidity.
Due to our continual commitment to product improvement, specifications are subject to change without notice.

CONTACT

Tel +27 11 462 2130

Email sales@insulated.co.za

Visit our website www.insulatedstructures.co.za





SlimLine

CLOSED WRAP MEDIUM HEIGHT



FEATURES

STANDARD FEATURES

- New square look and feel
- Maximised merchandising space to foot print ratio
- Narrow look vacuum formed patch-ends
- Standard block LED lighting
- Recess kick plate with positive fixing
- Nylon block under feet to protect tiles
- Slim shelves (15mm)
- Upright coil
- High performance coil and fans
- Line up pins
- New and improved shelf bracket
- Removable centre duct with quick access to view coil

OPTIONAL FEATURES

- Perspex fence
- Pedestals
- Top or bottom refrigeration exit
- Under-shelf lights



**Insulated
Structures**

CLOSED WRAP MEDIUM HEIGHT

DESCRIPTION					
MODEL NO : SL-1400	SL-1400 / SL-1400 END				
DIMENSIONS					
HEIGHT	END 1400mm	1400mm	1400mm	1400mm	1400mm
WIDTH (FROM LEFT TO RIGHT)	END 1320mm	1220mm	1830mm	2240mm	3670mm
DEPTH	END 762mm	762mm	762mm	762mm	762mm
TECHNICAL DIAGRAM					
SPECIFICATION					
USAGE	General chiller				
TEMPERATURE RANGE (°C)	2 to 5 °C				
WATTS REFRIGERATION (W)	END 2000W	1000W	1500W	2000W	3000W
VOLT (V)	220V @ 50Hz				
SUCTION TEMP (°C)	-4 °C				

Suitable for store conditions below 25 °C and 60% relative humidity.
 Due to our continual commitment to product improvement, specifications are subject to change without notice.

CONTACT

Tel +27 11 462 2130

Email sales@insulated.co.za

Visit our website www.insulatedstructures.co.za

