



# *Integrale*

## UPRIGHT SELF-CONTAINED

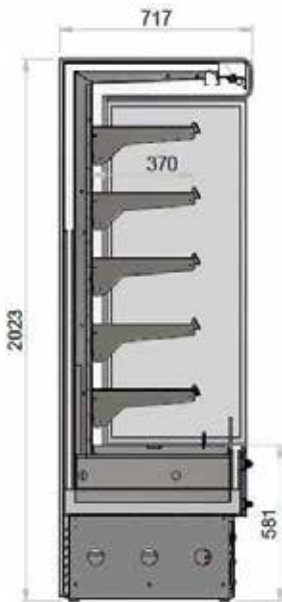


## FEATURES

- Self-contained refrigeration
- Filter on condenser easily removable for cleaning
- Refrigeration unit slides out for maintenance
- Standard off cycle defrost for cost-effective operation; electric, hot gas reverse air defrost also available
- Integrated drip tray and drainage
- ECM fans
- Thermostatic expansion valves
- Available in three lengths: 4', 6' & 8'
- Zero ODP insulation
- Stainless steel exterior
- Glass-ends and lower front glass
- LED lights (Butcher option LED light available)
- Shelf height and angle can be adjusted
- Manual or electronic night blinds

 **Insulated  
Structures**

# UPRIGHT SELF-CONTAINED

DESCRIPTION			
MODEL NO : IU	IU 1250	IU 1875	IU 2400
DIMENSIONS			
HEIGHT	2023mm	2023mm	2023mm
WIDTH (FROM LEFT TO RIGHT)	1250mm	1875mm	2400mm
DEPTH	717mm	717mm	717mm
TECHNICAL DIAGRAM			
			
SPECIFICATION			
USAGE	Sandwiches, fruit, beverages, processed meat		
TEMPERATURE RANGE (°C)	3 to 5 °C	3 to 5 °C	
VOLT (V)	220V @ 50Hz	220V @ 50Hz	
INPUT POWER (W)	2471 W	3462 W	

Suitable for store conditions below 25 °C and 60% relative humidity.  
 Due to our continual commitment to product improvement, specifications are subject to change without notice.

## CONTACT

Tel +27 11 462 2130

Email [sales@insulated.co.za](mailto:sales@insulated.co.za)

Visit our website [www.insulatedstructures.co.za](http://www.insulatedstructures.co.za)





# *Integrale*

## MID HEIGHT SELF-CONTAINED



### FEATURES

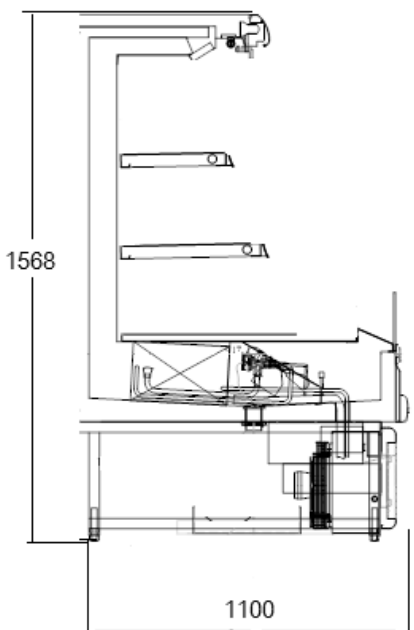
- Self-contained refrigeration
- Filter on condenser easily removable for cleaning
- Refrigeration unit slides out for maintenance
- R134 / R404a gas
- Condensate evaporation pan
- Embraco compressor
- Carel controller
- EBM fans
- Zero ODP insulation
- Stainless steel exterior
- Glass-ends and lower front glass
- 2 stainless steel shelves with LED lights on each shelf
- Shelf height and angle can be adjusted
- Single LED hood light
- Energy saving night blinds



**Insulated  
Structures**



# MID HEIGHT SELF SERVICE SELF-CONTAINED

DESCRIPTION			
MODEL NO : IMH	IMH 1250	IMH 1875	IMH 2500
DIMENSIONS			
HEIGHT	1568mm	1568mm	1568mm
WIDTH (FROM LEFT TO RIGHT)	1250mm	1875mm	2500mm
DEPTH	1100mm	1100mm	1100mm
TECHNICAL DIAGRAM			
			
SPECIFICATION			
USAGE	Sandwiches, fruit, beverages, processed meat		
TEMPERATURE RANGE (°C)	3 to 5 °C	3 to 5 °C	3 to 5 °C
VOLT (V)	220V @ 50Hz	220V @ 50Hz	220V @ 50Hz
INPUT POWER (W)	2736 W	3147 W	3623 W

Suitable for store conditions below 25 °C and 60% relative humidity.  
 Due to our continual commitment to product improvement, specifications are subject to change without notice.

## CONTACT

Tel +27 11 462 2130

Email [sales@insulated.co.za](mailto:sales@insulated.co.za)

Visit our website [www.insulatedstructures.co.za](http://www.insulatedstructures.co.za)



**Insulated  
Structures**



# *Integrale*

## GLASS SIDED FREEZER SELF-CONTAINED



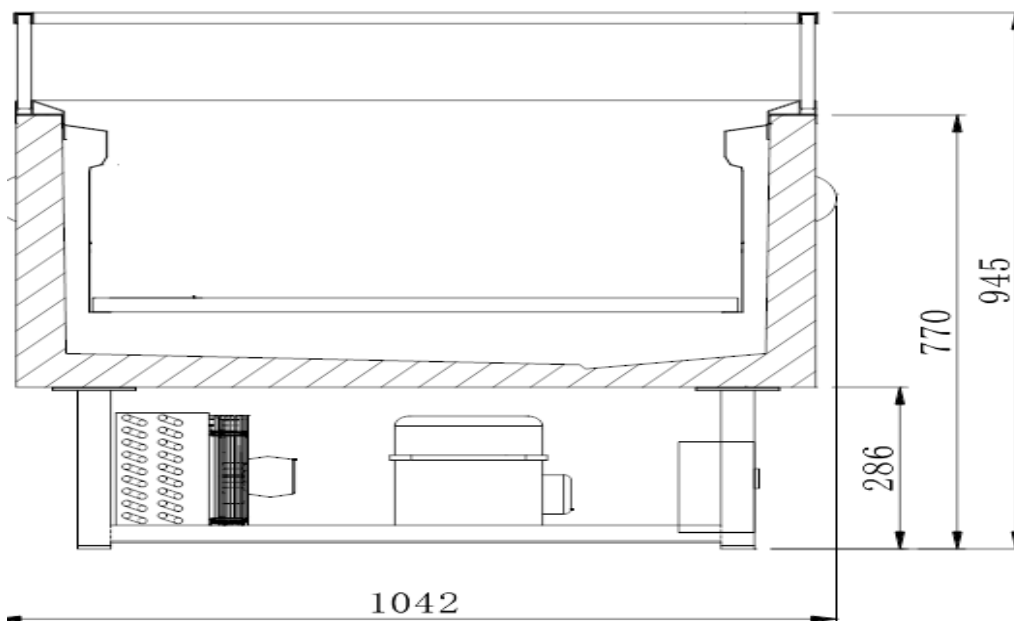
### FEATURES

- Self-contained refrigeration
- Filter on condenser easily removable for cleaning
- R134 / R404a gas
- Condensate evaporation pan
- Embraco compressor
- Carel controller
- EBM fans
- Zero ODP insulation
- Stainless steel exterior
- White interior
- Glass sides
- Energy saving lids
- Steel wire product dividers

# GLASS SIDED FREEZER SELF-CONTAINED

DESCRIPTION			
MODEL NO : IGSF	IGSF 1580	IGSF 2080	IGSF 2580
DIMENSIONS			
HEIGHT	945mm	945mm	945mm
WIDTH (FROM LEFT TO RIGHT)	1580mm	2080mm	2580mm
DEPTH	1042mm	1042mm	1042mm

## TECHNICAL DIAGRAM



SPECIFICATION			
USAGE	Frozen food / ice cream		
TEMPERATURE RANGE (°C)	-18 to -23 °C	-18 to -23 °C	-18 to -23 °C
VOLT (V)	220V @ 50Hz	220V @ 50Hz	220V @ 50Hz
INPUT POWER (W)	700 W	720 W	892 W

Suitable for store conditions below 25 °C and 60% relative humidity.  
Due to our continual commitment to product improvement, specifications are subject to change without notice.

## CONTACT

Tel +27 11 462 2130

Email [sales@insulated.co.za](mailto:sales@insulated.co.za)

Visit our website [www.insulatedstructures.co.za](http://www.insulatedstructures.co.za)



**Insulated  
Structures**



# *Integrale*

## ISLAND FREEZER SELF-CONTAINED



### FEATURES

- Self-contained refrigeration
- Filter on condenser easily removable for cleaning
- R134 / R404a gas
- Condensate evaporation pan
- Embraco compressor
- Carel controller
- EBM fans
- Zero ODP insulation
- White exterior
- Steel wire product dividers
- Embossed aluminium interior
- Sliding glass tops for efficiency
- Non-forced air circulation

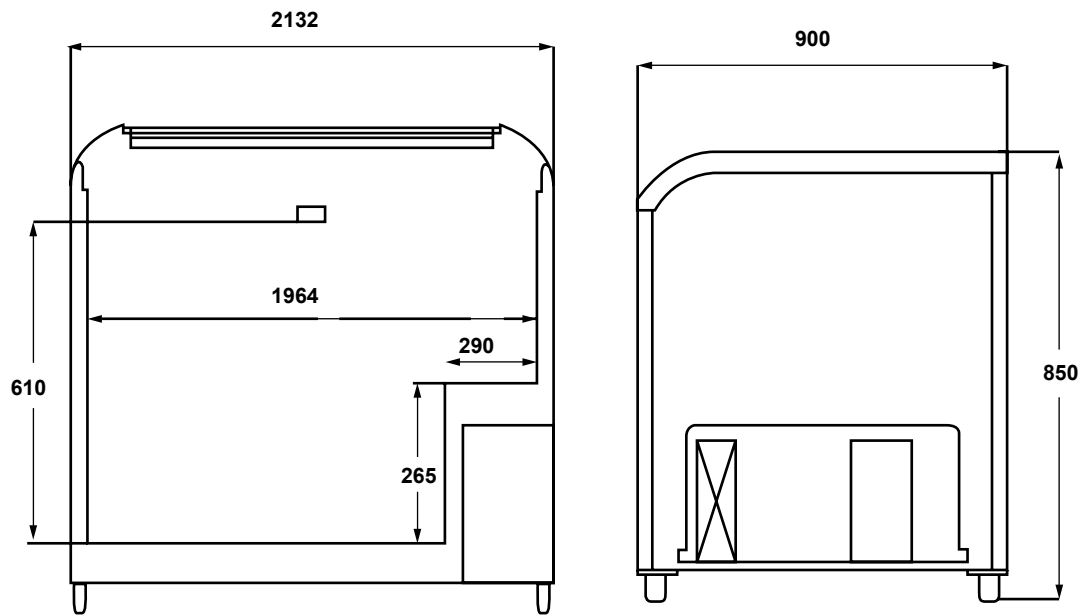
 Insulated  
Structures



# ISLAND FREEZER SELF-CONTAINED

DESCRIPTION			
MODEL NO : IIF	IIF 2100	IIF 2500	IIF End
DIMENSIONS			
HEIGHT	837mm	837mm	837mm
WIDTH (FROM LEFT TO RIGHT)	2116mm	2502mm	1870mm
DEPTH	875mm	875mm	875mm

## TECHNICAL DIAGRAM



## SPECIFICATION

USAGE	Frozen food / ice cream	Frozen food / ice cream	Frozen food / ice cream
TEMPERATURE RANGE (°C)	-15 to -18 °C	-15 to -18 °C	-15 to -18 °C
VOLT (V)	220V @ 50Hz	220V @ 50Hz	220V @ 50Hz
INPUT POWER (W)	570 W	590 W	560 W

Suitable for store conditions below 25 °C and 60% relative humidity.  
Due to our continual commitment to product improvement, specifications are subject to change without notice.

### CONTACT

Tel +27 11 462 2130

Email [sales@insulated.co.za](mailto:sales@insulated.co.za)

Visit our website [www.insulatedstructures.co.za](http://www.insulatedstructures.co.za)



**Insulated  
Structures**





# *Integrale*

## LOW SELF-CONTAINED



## FEATURES

- Self-contained refrigeration
- Filter on condenser easily removable for cleaning
- Refrigeration unit slides out for maintenance
- R134 / R404a gas
- Condensate evaporation pan
- Embraco compressor
- Carel controller
- EBM fans
- Zero ODP insulation
- Stainless steel exterior
- Black interior
- Glass-ends and lower front glass



**Insulated  
Structures**

# LOW SELF-CONTAINED

DESCRIPTION	
MODEL NO : ILSS	ILSS 1250
DIMENSIONS	
HEIGHT	864mm
WIDTH (FROM LEFT TO RIGHT)	1250mm
DEPTH	1180mm
TECHNICAL DIAGRAM	
SPECIFICATION	
USAGE	Sandwiches, fruit, beverages, processed meat
TEMPERATURE RANGE (°C)	3 to 5 °C
VOLT (V)	220V @ 50Hz
INPUT POWER (W)	574 W

Suitable for store conditions below 25 °C and 60% relative humidity.  
 Due to our continual commitment to product improvement, specifications are subject to change without notice.

## CONTACT

Tel +27 11 462 2130

Email [sales@insulated.co.za](mailto:sales@insulated.co.za)

Visit our website [www.insulatedstructures.co.za](http://www.insulatedstructures.co.za)





# *Integrale*

## SQUARE GLASS HOT & COLD DELI'S



### FEATURES

- Self-contained refrigeration
- R134 Refrigerant
- Condensate evaporation pan
- Embraco compressor
- Carel controller
- EBM Fans
- 2 Glass steel shelves with LED lights on each shelf (Cold Option)
- Zero ODP insulation
- Stainless steel exterior
- Shelf height and angle can be adjusted
- Available in hot option

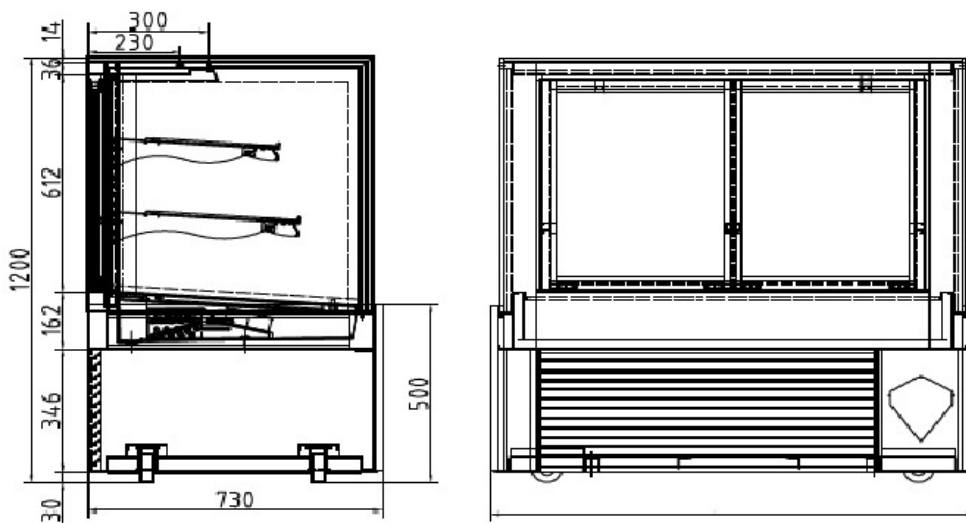
 **Insulated  
Structures**



# SQUARE GLASS HOT & COLD DELI'S

DESCRIPTION			
MODEL NO :	1200 HOT	1200 COLD	1800 COLD
DIMENSIONS			
HEIGHT	1200mm	1200mm	1200mm
WIDTH (FROM LEFT TO RIGHT)	1200mm	1200mm	1800mm
DEPTH	730mm	730mm	730mm

## TECHNICAL DIAGRAM



## SPECIFICATION

	1200 HOT	1200 COLD	1800 COLD
TEMPERATURE RANGE (°C)	40 to 75 °C	2 to 8 °C	2 to 8 °C
VOLT (V)	220V	220V	220V
INPUT POWER (W)	1270 W	720 W	920 W

Suitable for store conditions below 25 °C and 60% relative humidity.  
Due to our continual commitment to product improvement, specifications are subject to change without notice.

### CONTACT

Tel +27 11 462 2130

Email [sales@insulated.co.za](mailto:sales@insulated.co.za)

Visit our website [www.insulatedstructures.co.za](http://www.insulatedstructures.co.za)



**Insulated  
Structures**