

WALK AROUND SALAD BAR



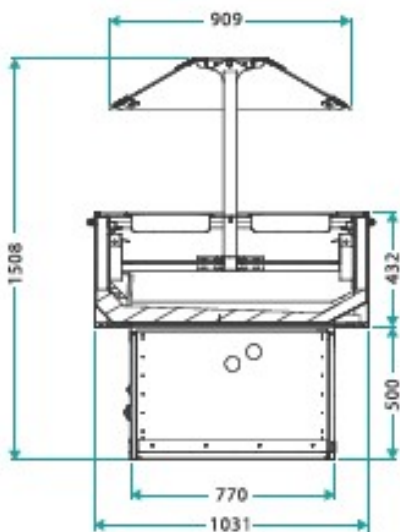
Insulated Structures
12 Brunel Road Tulisa Park
Johannesburg South
services@cgis.co.za



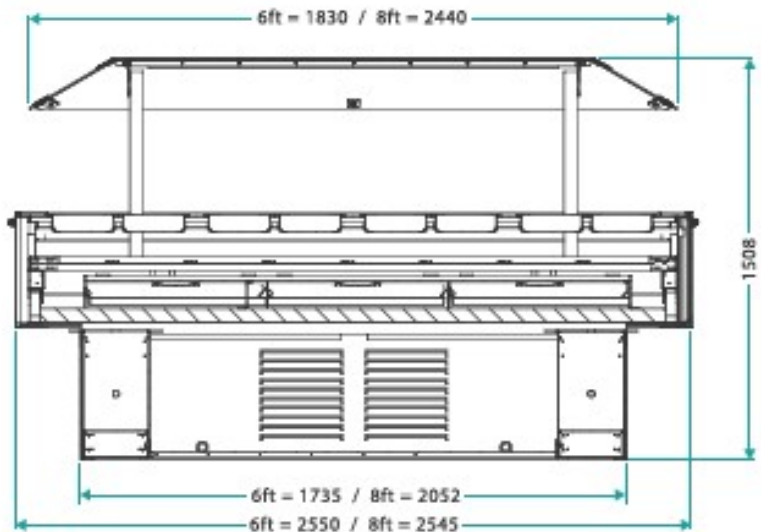
Insulated Structures

(1989)(Pty)Ltd.

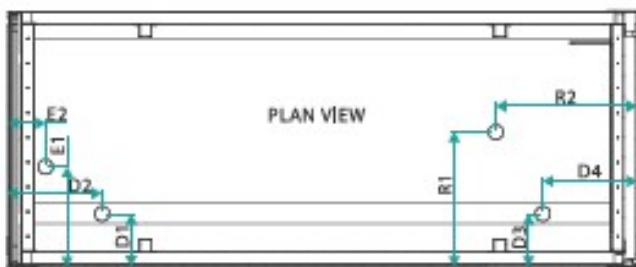
Reg. Number 1971/05601/07



SIDE SECTION VIEW



FRONT SECTION VIEW



PLAN VIEW





Insulated Structures

(1989)(Pty)Ltd.
Reg. Number 1971/05601/07

Standard Specifications

Salad Bowls	Valves (Brass Thermostatic)
Lids	2 x Probes (Air on & Defrost)
Ticket Rails	Electronic Display
Shaded Pole Fan	Canopy LED Lights

Optional Specifications

Self-Contained Units

Granite Surround

Physical Properties

Drain Points, Electrical Points, Refrigeration Points

Size	TDA (m ²)	D1	D2	D3	D4	E1	E2	R1	R2
6ft	0.77	210mm	380mm	210mm	380mm	400mm	150mm	540mm	570mm
8ft	0.98	210mm	380mm	210mm	380mm	400mm	150mm	540mm	570mm

Refrigeration Requirements

Electrical Specification

Refrigeration	Evaporation Temp	Size	Condensing Unit	Heaters (Boil off Pan)	Evaporator Fans, Fan Blades + Motor	Lighting (LED) Canopy
220W/ft	-4°C	6ft	HQHD16KAR-870W	1500W	2 X 154-24°/36W (SPM)	2 X 10W=20W
		8ft	HQHD16KAR-870W	1500W	3 X 154-24°/36W (SPM)	2 X 17W=34W