

# WALK AROUND HOT NUT BAR



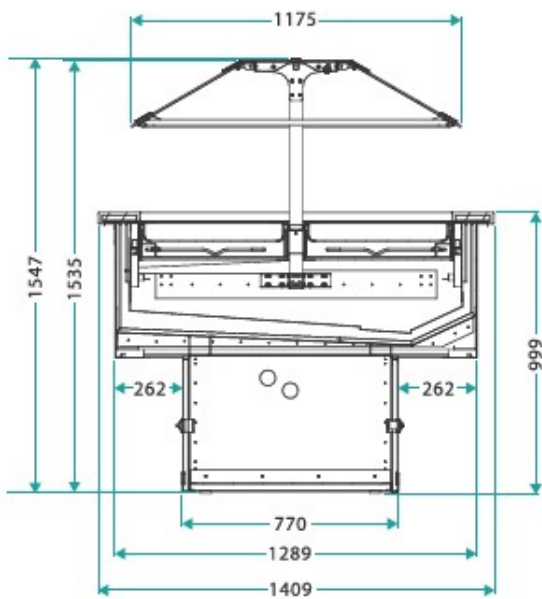
**Insulated Structures**  
**12 Brunel Road Tulisa Park**  
**Johannesburg South**  
**services@cgis.co.za**



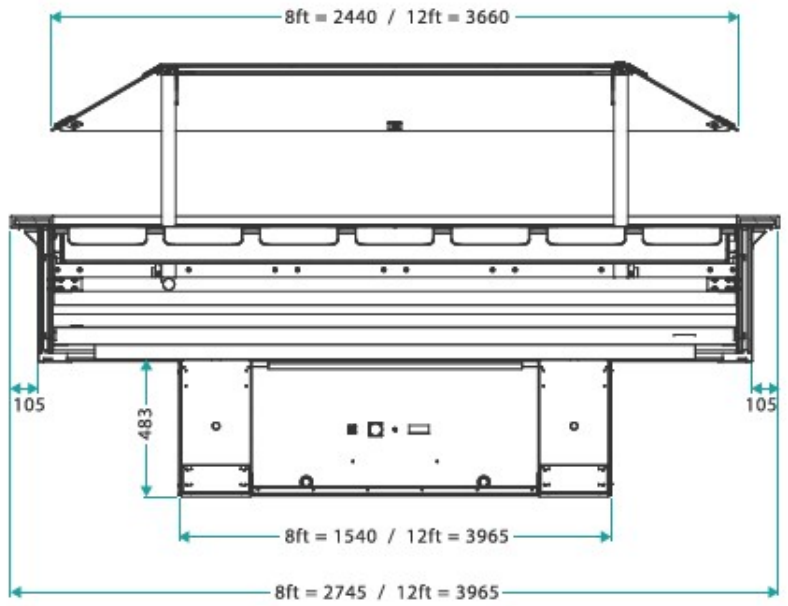
# Insulated Structures

(1989)(Pty)Ltd.

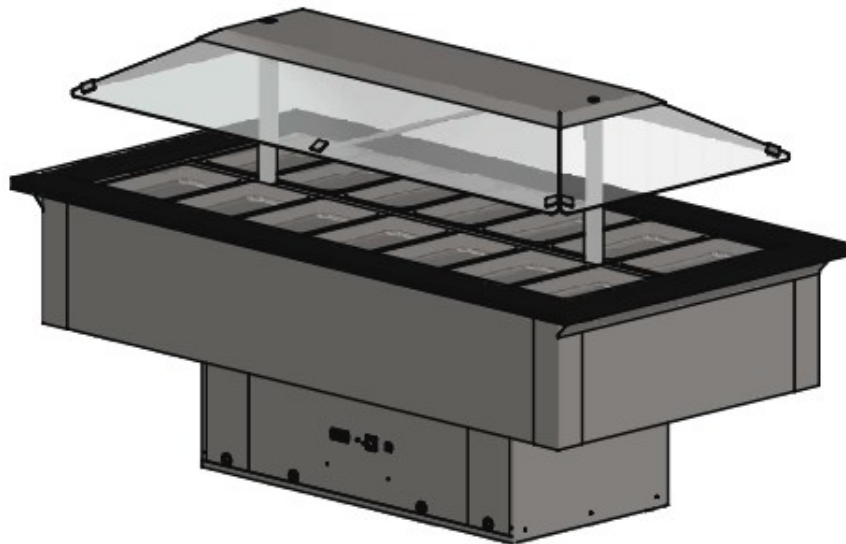
Reg. Number 1971/05601/07



SIDE SECTION VIEW



FRONT SECTION VIEW





# Insulated Structures

(1989) Pty Ltd.

Reg. Number 1971/05601/07

## Standard Specifications

Salad Bowls	Ticket Rails	Valves (Brass Thermostatic)	Electronic Display
Lids	Standard Pole Fans	2x Probes (Air off & Defrost)	Canopy Led Lights



Heating Equipment	Physical Properties		Electrical Specifications	
Product Temperature	Size	TDA (m <sup>2</sup> )	Heater Dry Elements	Lighting Case (LED)
65°	8ft	1.65	14 x 500W	2 x 17W = 34W
	12ft	2.27	20 x 500W	2 x 30W = 60W