



**Insulated
Structures**

(1989)(Pty)Ltd.

Reg. Number 1971/05601/07

SQUARE GLASS PIE - HOT

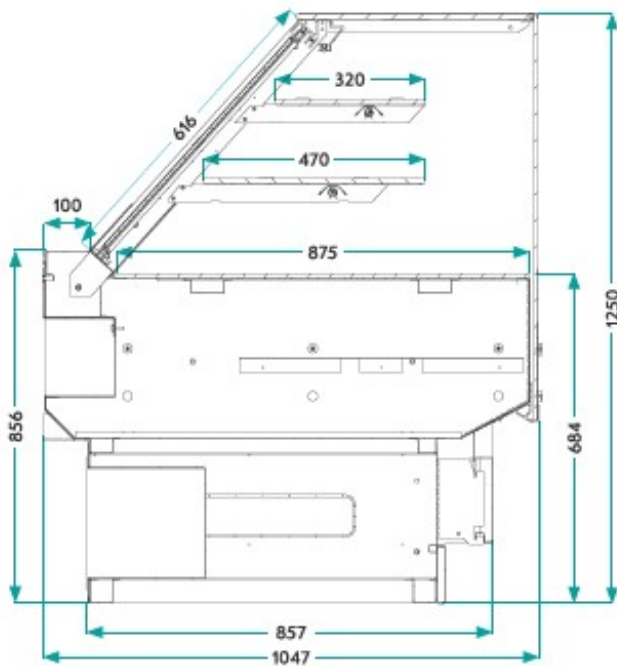


Insulated Structures
12 Brunel Road Tulisa Park
Johannesburg South
services@cgis.co.za

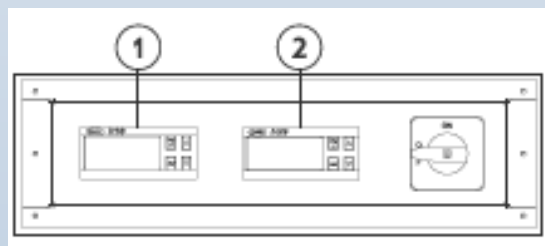
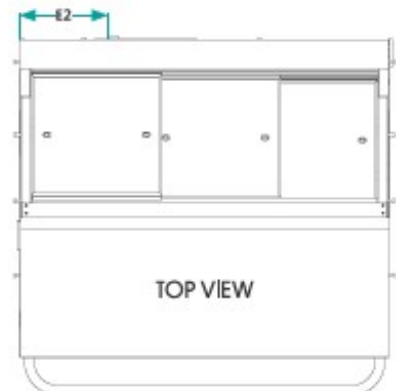


Insulated Structures

(1989)(Pty)Ltd.
Reg. Number 1971/05601/07



SIDE SECTION VIEW



Control Requirements		
Number	Control Temp. Settings	Shelves
1	75°C	Bottom Pan
2	75°C	Shelf x2



Insulated Structures

(1989)(Pty)Ltd.
Reg. Number 1971/05601/07

Specifications	Optional Specifications
<ul style="list-style-type: none"> 2 x Sticky Heat LED Lit Glass Shelves 	<ul style="list-style-type: none"> 20mm Glass Patch-Ends with black capping
<ul style="list-style-type: none"> Linear Front Bar 	<ul style="list-style-type: none"> Solid Patch-Ends
<ul style="list-style-type: none"> Rear Slider 	<ul style="list-style-type: none"> Humidifier Insert
<ul style="list-style-type: none"> Powder Coated Cladding 	<ul style="list-style-type: none"> Cladding Option: Refer to Cladding details document available on demand
<ul style="list-style-type: none"> Electronic Temp Control 	



Physical Properties					Electrical Specifications				
Size	Length (m)	TDA (m ²)	E1	E2	Sticky Heat	Case (LED)	Shelf (LED)	Canopy (LED)	Shelf (LED)
3ft	0.915	0.91	-	90mm	2x325W+2x480W	1x10W	2x10W	1x16W=16W	2x12W=24W
4ft	1.220	1.23	-	100mm	2x435W+2x643W	1x16W	2x16W	1x25W=25W	2x20W=40W
6ft	1.830	1.87	-	160mm	2x660W+2x1015W	1x25W	2x25W	2x16W=32W	4x12W=48W