



**Insulated
Structures**

(1989)(Pty)Ltd.

Reg. Number 1971/05601/07

SQUARE GLASS GOURMET MEAT



Insulated Structures

12 Brunel Road Tulisa Park

Johannesburg South

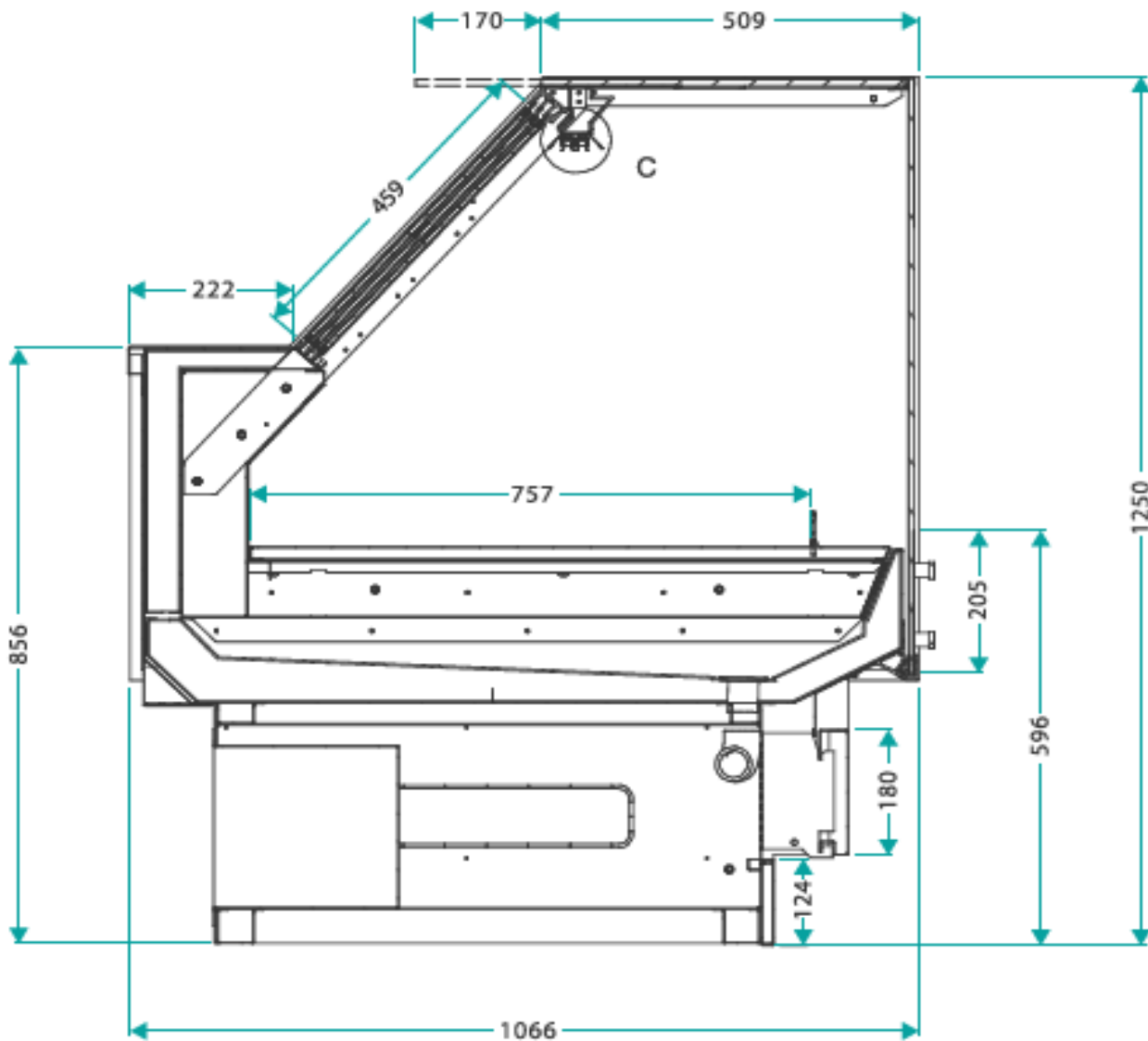
services@cgis.co.za



Insulated Structures

(1989)(Pty)Ltd.

Reg. Number 1971/05601/07



SIDE SECTION VIEW



Insulated Structures

(1989)(Pty)Ltd.
Reg. Number 1971/05601/07



Standard Specifications

- Flat BTM Pan
- Linear Front Bar
- Rear Sliders
- Powder-Coated Cladding
- Valves (Brass Thermostatic)
- 2 x Probes (Air Off and Defrost)
- Shaded Pole Fans
- Standard Coil

Optional Specifications

- 20mm Glass Patch-Ends
- Solid Colour Coded Patch-Ends
- 1 x 200mm Glass Shelf with LED Lights
- Cladding Options: Refer to Cladding details document (Available on request)
- ECM Fans

Self-Contained Units are available up to 8ft without any dimension changes

Refrigeration Equipment		Electrical Specifications		
Refrigeration	Evaporation Temp	Evaporator Fans	Heaters	Lighting
110w/ft	-8°C	Fan Motor + Motor	Defrost	Case (Meat LED)
Specifications subject to change without notice. Designed for optimal performance in store environment where temperature and humidity do not exceed 25°C & 60% RH **Meat Optional**		1xø154-28°/36W (SPM) or 24W (ECM)	1 x 800W	2 x 21W
		1xø154-28°/36W (SPM) or 24W (ECM)	1 x 1300W	2 x 31W
		1xø154-28°/36W (SPM) or 24W (ECM)	1 x 1600W	4 x 21W
		2xø154-28°/36W (SPM) or 24W (ECM)	1 x 2400W	6 x 21W