

SQUARE GLASS DELI



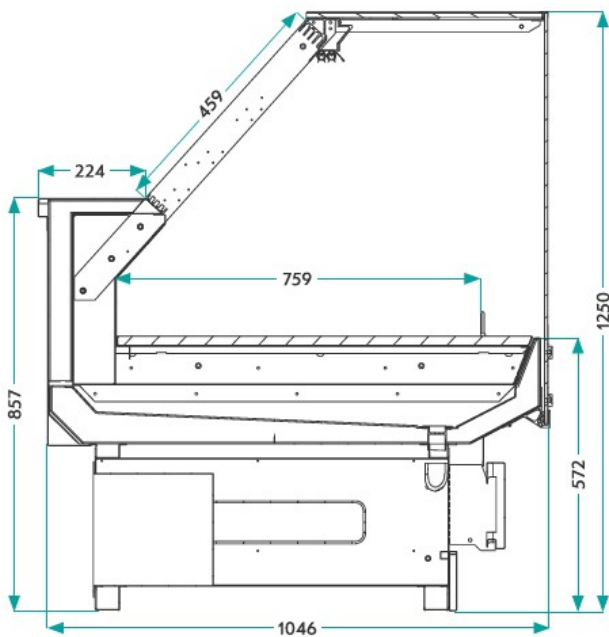
Insulated Structures
12 Brunel Road Tulisa Park
Johannesburg South
services@cgis.co.za



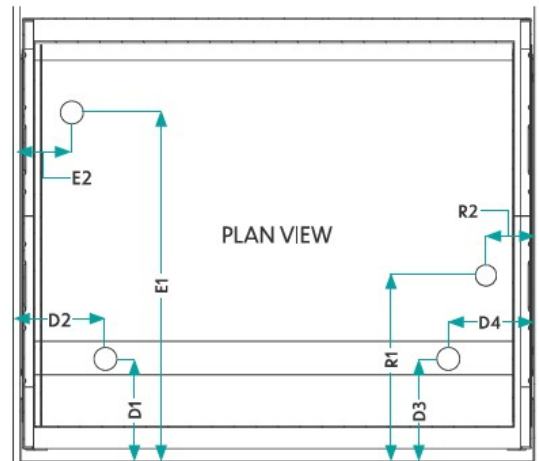
Insulated Structures

(1989)(Pty)Ltd.

Reg. Number 1971/05601/07



SIDE SECTION VIEW



Standard Specifications

▪ Flat Bottom Pan	▪ 2 x Probes
▪ Linear Front Bars	▪ Shaded Pole Fans
▪ Rear Sliders	▪ Standard Coil
▪ Powder Coated Cladding	
▪ Valve (Brass Thermostatic)	

Optional Specifications

▪ 20mm Glass Patch-Ends with Black Capping
▪ Solid Patch-Ends
▪ Self-Contained Unit
▪ ECM Fans
▪ Electronic Valves



Insulated Structures

(1989)(Pty)Ltd.
Reg. Number 1971/05601/07

Physical Properties			Drain Points & Refrigeration Points							
Size	Length (m)	TDA (m ²)	D1	D2	D3	D4	E1	E2	R1	R2
4ft	1.220	0.76	230mm	609mm	-	-	800m	110mm	400mm	110mm
6ft	1.830	1.15	230mm	914mm	-	-	800m	110mm	400mm	110mm
8ft	2.440	1.52	230mm	609mm	230mm	609mm	800m	110mm	400mm	110mm
12ft	3.660	2.29	230mm	600mm	230mm	600mm	800m	110mm	400mm	110mm



Refrigeration Equipment		Electrical Specifications			
Refrigeration	Evaporation Temp	Evaporator Fans	Lighting	Lighting	Lighting
110w/ft	-6°C	Fan Motor + Motor	Case (LED)	Shelf (LED)	Case (Meat LED)
Specifications subject to change without notice. Designed for optimal performance in store environment where temperature and humidity do not exceed 25°C & 60% RH **Meat Optional**		1xø154-28°/36W (SPM) or 24W (ECM)	1 x 16W	1 x 16W	2 x 21W
		2xø154-28°/36W (SPM) or 24W (ECM)	1 x 25W	1 x 25W	2 x 31W
		2xø154-28°/36W (SPM) or 24W (ECM)	2 x 16W	2 x 16W	4 x 21W
		3xø154-28°/36W (SPM) or 24W (ECM)	3 x 16W	3 x 16W	6 x 21W