



**Insulated  
Structures**

(1989)(Pty)Ltd.

Reg. Number 1971/05601/07

# CURVED GLASS GOURMET



Insulated Structures

12 Brunel Road Tulisa Park

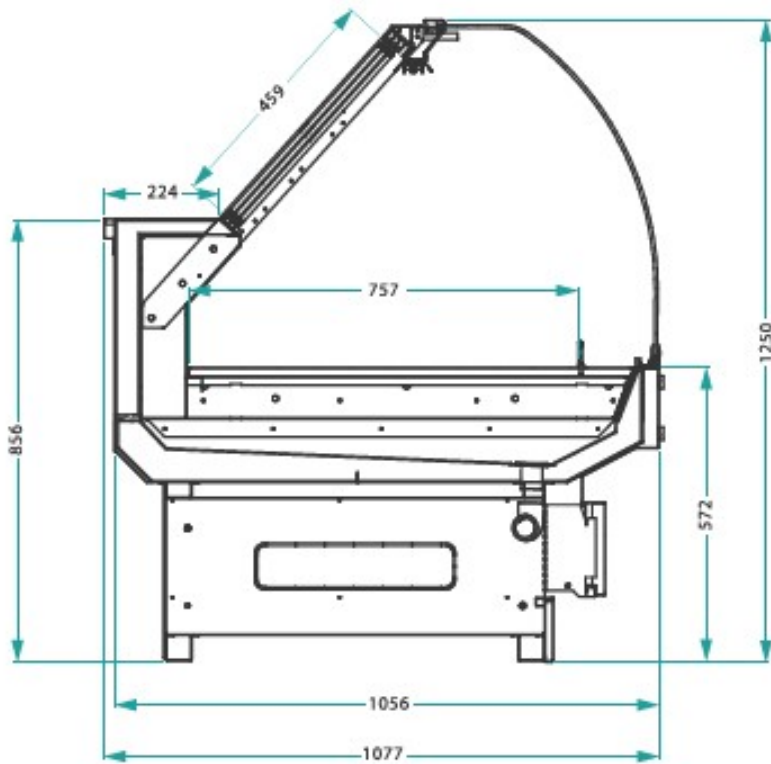
Johannesburg South

services@cgis.co.za

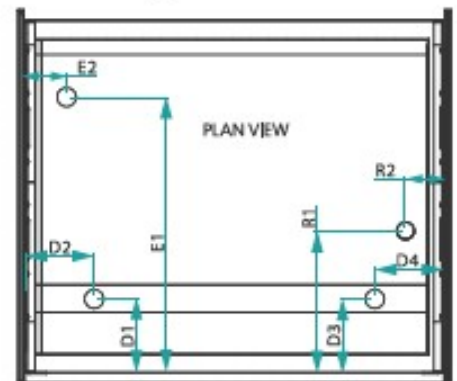


# Insulated Structures

(1989)(Pty)Ltd.  
Reg. Number 1971/05601/07



SIDE SECTION VIEW



Standard Specifications	Optional Specifications
Flat Bottom Pan	20mm Glass Patch-Ends
Cladding as per Price Structure	Solid Colour Coded Patch-Ends
Rear Sliders	1 x 200mm Glass Shelf with LED Lights
Powder-Coated Cladding	Cladding Options: Refer to Cladding documents (available on request)
Valves (Brass Thermostatic)	ECM Fans
2 Probes (Air Off and Defrost)	Electronic Valves
Shaded Pole Fans	Self-Contained Units (Available up to 8ft)
Standard Coil	Without any dimensional changes)



# Insulated Structures

(1989)(Pty)Ltd.  
Reg. Number 1971/05601/07

### Physical Properties

Size	Length (m)	TDA (m <sup>2</sup> )
4ft	1,220	0,76
6ft	1,830	1,15
8ft	2,440	1,52
12ft	3,660	2,29

D1	D2	D3	D4	E1	E2	R1	R2
230mm	609mm	-	-	800mm	110mm	400mm	110mm
230mm	914mm	-	-	800mm	110mm	400mm	110mm
230mm	609mm	230mm	609mm	800mm	110mm	400mm	110mm
230mm	600mm	230mm	600mm	800mm	110mm	400mm	110mm

### Refrigeration Requirements

Refrigeration	Evaporation Temp
110W/ft	-8°C

### Electrical Specifications

Evaporator Fans (Fan Motor+Motor)	Heaters Defrost	Lighting Case (Meat LED)
1xø154-28°/36W (SPM) or 24W (ECM)	1 x 800W	2 X 21W
1xø154-28°/36W (SPM) or 24W (ECM)	1 X 1300W	2 X 31W
1xø154-28°/36W (SPM) or 24W (ECM)	1 X 1600W	4 X 21W
2xø154-28°/36W (SPM) or 24W (ECM)	2 X 1200W	6 X 21W